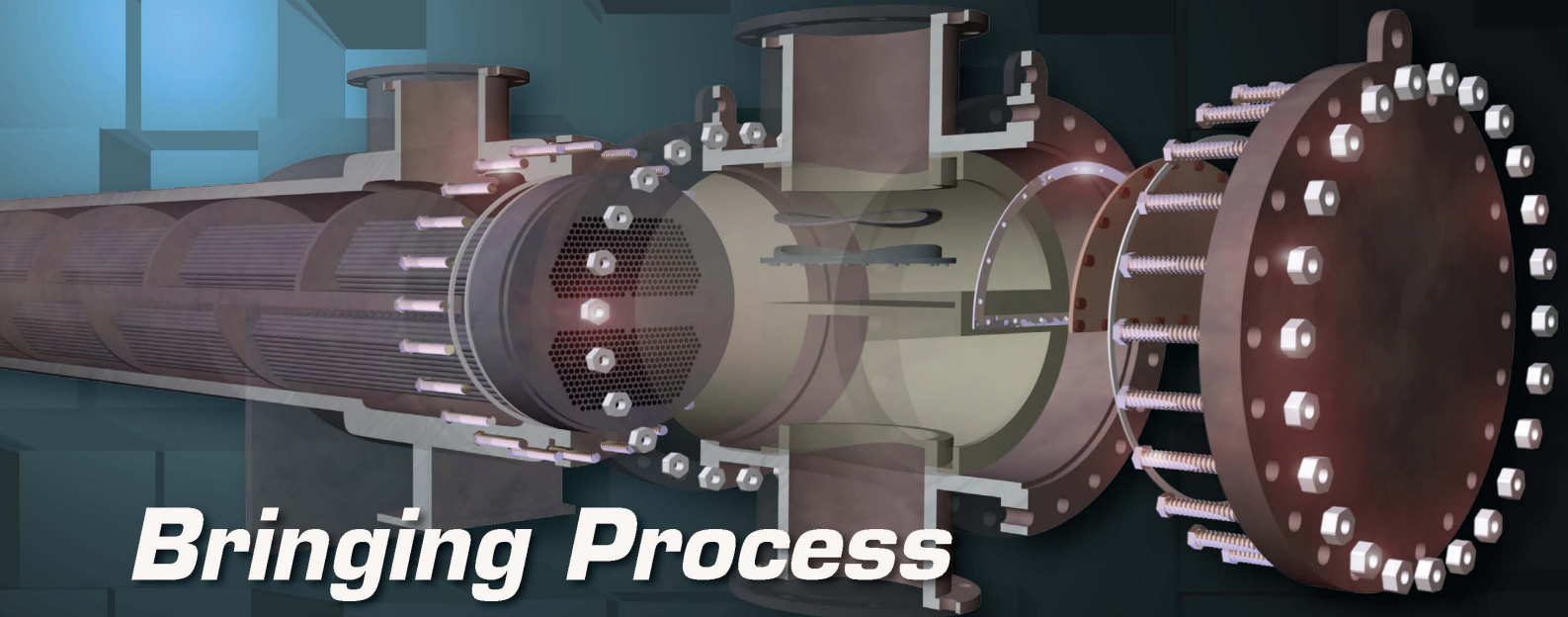


# ExplainMedia

Call 707-709-8763

Email [info@explainmedia.com](mailto:info@explainmedia.com)



## ***Bringing Process Technology to Life***

In recent decades, remarkable advances have been made in CGI software and hardware applications. Perhaps without realizing it, 3D visualizations have become a part of our everyday lives. Whether we are playing a video game, watching the latest movie, or using off-the-shelf software to design our backyards, 3D renderings make it more engaging and easier.

***Your materials  
deserve the best  
presentation; we will  
give it our best.***

ExplainMedia offers complete visualization services to develop, extend, or convert high-quality technical content into static or interactive 3D materials. Process technology concepts are particularly suitable for our participative animations, improving the viewer's insight into the spatial layout of equipment parts. Your materials deserve the best presentation; we will give it our best.

We use our extensive library of 3D models and tools to generate content that is second to none. ExplainMedia provides the best graphical assets that are affordable and developed with fast turnaround time. At ExplainMedia, staff with a technical engineering background work closely with staff with years of experience in academic research, education, and new media.

We look at things from your perspective.

### **Find out More**

**[www.ExplainMedia.com](http://www.ExplainMedia.com)**

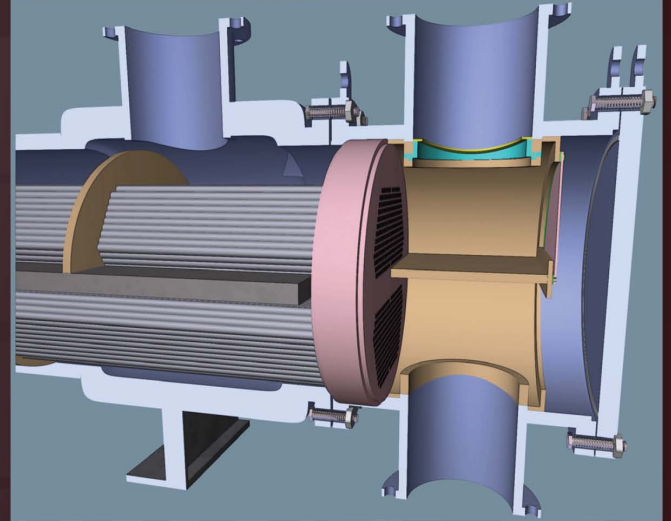
We have a variety of information about our services online. Visit us today to learn more.

Call 707-709-8763

Or email your question to  
[info@explainmedia.com](mailto:info@explainmedia.com)

## *Putting it in perspective:*

**Photography & mixed media presentations of the subject matter**



### **Narrated videos:**

We offer a complete video development and production service that includes 3D visualization, storyboarding, script writing, video shoots, narration, acting, editing, and authoring.

### **Updated illustrations:**

Making graphical content ready for printing, web publishing, or overhead presentation.



### **SCORM-enabled testing modules**

Ready for your Learning Management System.

### **3D animations:**

Converting assets into interactive graphical content that's ready for Intranet publishing with or without SCORM-enabled Learning Management Systems (LMS).

### **Updates of existing materials, including all of the above:**

Taking what you have and creating a web-enabled system, print-ready documentation, and overhead-presentation content.

